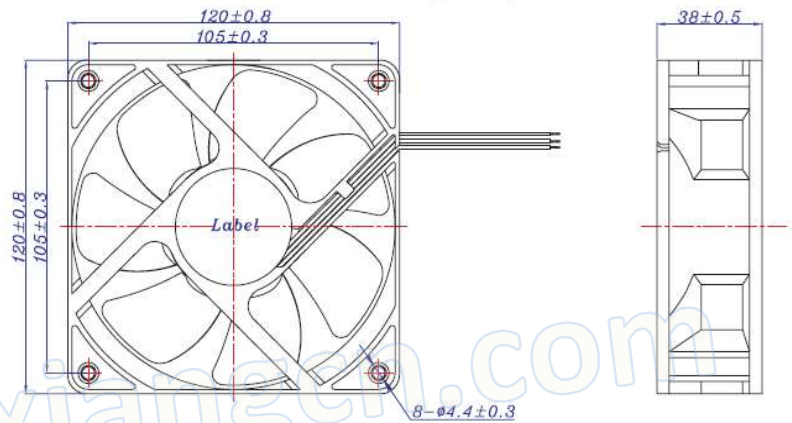


120 X 120 X 38 mm

Dimensions Drawing

OUTLINE(mm)



General Specification:

A、 Frame and Impeller:Thermal Plastic,UL94V-0

B、 Lead Wires:UL Tlype

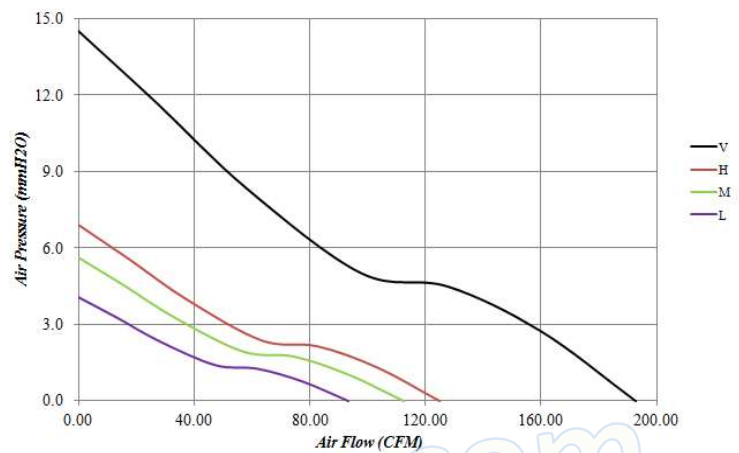
(+):Red (-)Black

C、 Operation Temperature:-10°C~70°C

35%~85RH

D、 Storage Temperature: -40°C~80°C

35%~85RH



Listed Model	Bearing System	Rated Voltage	Operating Voltage	Rated Current	Input Power	Maximum Air Flow	Maximum Air Pressure	Speed	Noise	Weight
		(V)	(V)	(A)	(W)	(CFM)	(mmAq)	(rpm)	dB(A)	(g)
FDL12038B	Ball	12	6.0-13.2	0.42	5.04	93.39	4.05	2,000	36.5	360
FDM12038B			6.0-13.2	0.60	7.20	112.40	5.61	2,400	41.4	360
FDH12038B			6.0-13.2	0.80	9.60	124.70	6.92	2,700	44.8	360
FDV12038B			6.0-13.2	2.20	26.40	192.90	14.50	4,000	57.0	360
FDL12038B2		24	14.0-27.0	0.24	5.76	93.39	4.05	2,000	36.5	360
FDM12038B2			14.0-27.0	0.34	8.16	112.40	5.61	2,400	41.4	360
FDH12038B2			14.0-27.0	0.46	11.04	124.70	6.92	2,700	44.8	360
FDV12038B2			14.0-27.0	1.30	31.20	192.90	14.50	4,000	57.0	360
FDM12038B4		48	36.0-54.0	0.27	12.96	112.40	5.61	2,400	41.4	360
FDH12038B4			36.0-54.0	0.32	15.36	124.70	6.92	2,700	44.8	360
FDV12038B4			36.0-54.0	0.60	28.80	192.90	14.50	4,000	57.0	360