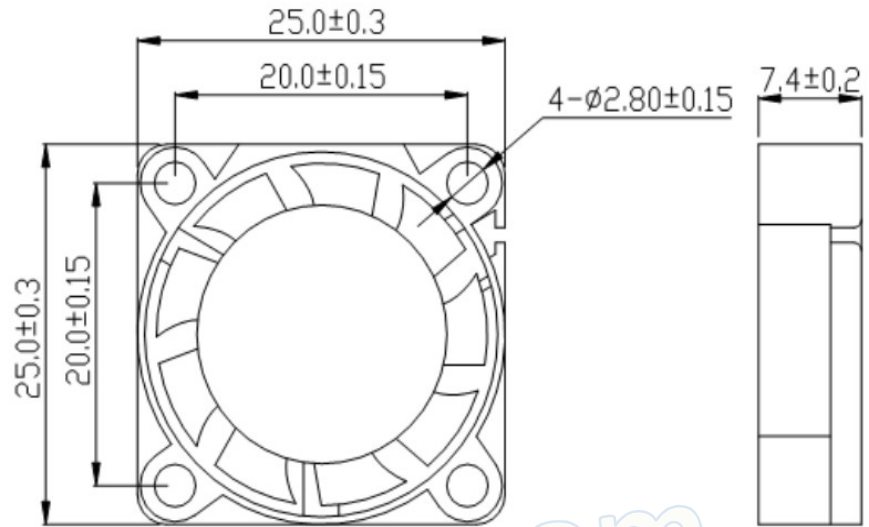


## Dimensions Drawing

25 X 25 X 07 mm



www.fuxiangcn.com

**General Specification:**

A、 Frame and Impeller: Thermal Plastic, UL94V-0

B、 Lead Wires: UL Tlype

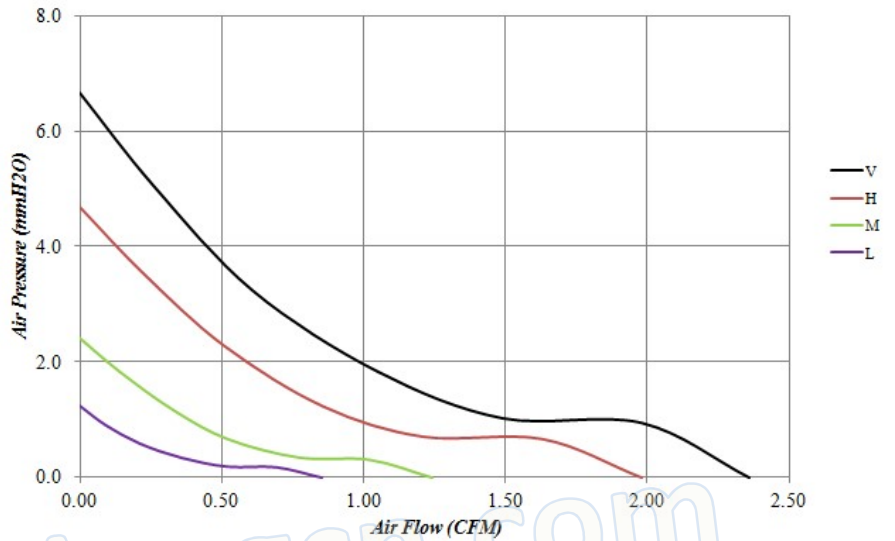
(+): Red (-) Black

C、 Operation Temperature: -10°C~70°C

35%~85RH

D、 Storage Temperature: -40°C~80°C

35%~85RH



Listed Model	Bearing System	Rated Voltage	Operating Voltage	Rated Current	Input Power	Maximum Air Flow	Maximum Air Pressure	Speed (rpm)	Noise (dB(A))	Weight (g)	
		(V)	(V)	(A)	(W)	(CFM)	(mmAq)				
FDL2507S5	Sleeve	5	4.0-6.0	0.11	0.55	0.85	1.26	7,000	21.0	5	
FDM2507S5			4.0-6.0	0.17	0.85	1.24	2.42	10,000	26.0	5	
FDH2507S5			4.0-6.0	0.23	1.15	1.98	4.69	14,000	35.0	5	
FDV2507S5			4.0-6.0	0.30	1.50	2.36	6.67	17,000	38.0	5	
FDL2507S		12	7.0-13.5	0.05	0.60	0.85	1.26	1.26	7,000	21.0	5
FDM2507S			7.0-13.5	0.08	0.96	1.24	2.42	2.42	10,000	26.0	5
FDH2507S			7.0-13.5	0.10	1.20	1.98	4.69	4.69	14,000	35.0	5
FDV2507S			7.0-13.5	0.13	1.56	2.36	6.67	6.67	17,000	38.0	5