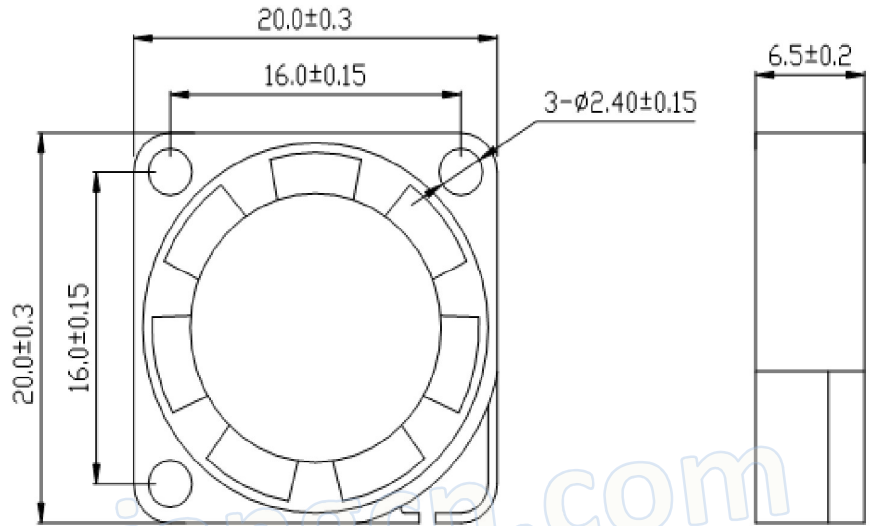


20 X 20 X 06 mm

Dimensions Drawing



General Specification:

A、 Frame and Impeller: Thermal Plastic, UL94V-0

B、 Lead Wires: UL Tlype

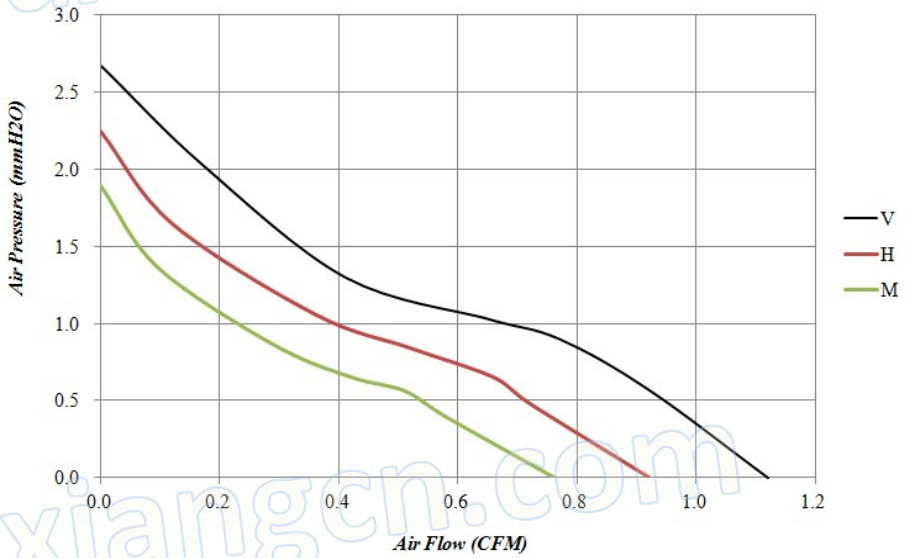
(+): Red (-) Black

C、 Operation Temperature: -10°C ~ 70°C

35% ~ 85RH

D、 Storage Temperature: -40°C ~ 80°C

35% ~ 85RH



Listed Model	Bearing System	Rated Voltage	Operating Voltage	Rated Current	Input Power	Maximum Air Flow	Maximum Air Pressure	Speed (rpm)	Noise (dB(A))	Weight (g)
		(V)	(V)	(A)	(W)	(CFM)	(mmAq)			
FDL2006S5	Sleeve	5	4.0-6.0	0.08	0.40	0.81	1.93	8,000	22.5	3.5
FDM2006S5			4.0-6.0	0.12	0.60	0.95	2.22	10,000	25.3	3.5
FDH2006S5			4.0-6.0	0.16	0.80	0.81	1.93	12,000	32.1	3.5